

PLEASE CHECK WWW.MOLEX.COM FOR LATEST PART INFORMATION

Part Number: [0194270031](#)
Status: **Active**
Description: 5.84mm (.230") Pitch MX150L™ Right Angle PCB Header, Dual Row, without PCB Flange, 10 Circuits

Documents:

[3D Model](#) [Product Specification PS-19427-001 \(PDF\)](#)
[Drawing \(PDF\)](#) [RoHS Certificate of Compliance \(PDF\)](#)

Agency Certification

UL E152602

General

Product Family	PCB Headers
Series	19427
Application	Wire-to-Board
Comments	without PCB Flange
Product Literature Order No	987650-2181
Product Name	MX150L™

Physical

Breakaway	No
Circuits (Loaded)	10
Circuits (maximum)	10
Durability (mating cycles max)	25
Flammability	94V-0
Glow-Wire Compliant	No
Lock to Mating Part	Yes
Material - Plating Mating	Tin
Material - Plating Termination	Tin
Number of Rows	2
Orientation	Right Angle
PC Tail Length (in)	0.130 In
PC Tail Length (mm)	3.30 mm
PCB Locator	Yes
PCB Retention	None
PCB Thickness Recommended (in)	0.062 In
PCB Thickness Recommended (mm)	1.60 mm
Packaging Type	Tray
Pitch - Mating Interface (in)	0.230 In
Pitch - Mating Interface (mm)	5.84 mm
Polarized to Mating Part	Yes
Polarized to PCB	No
Shrouded	Fully
Stackable	No
Surface Mount Compatible (SMC)	No
Temperature Range - Operating	-40°C to +125°C
Termination Interface: Style	Through Hole

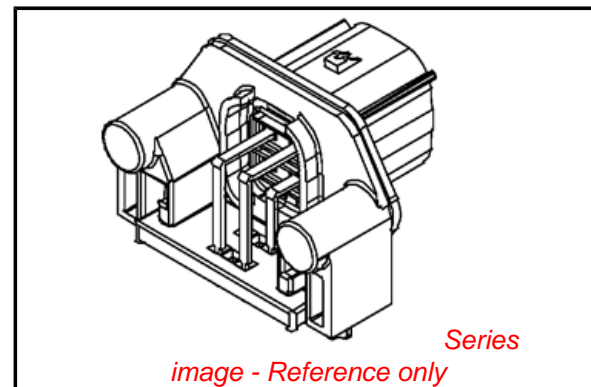
Electrical

Current - Maximum per Contact	18A
Voltage - Maximum	600V

Material Info

Reference - Drawing Numbers

Packaging Specification	PK-19427-001
-------------------------	--------------



EU RoHS

ELV and RoHS Compliant
REACH SVHC
 Not Reviewed
Halogen-Free Status
 Not Reviewed

China RoHS



Need more information on product environmental compliance?

Email productcompliance@molex.com
 For a multiple part number RoHS Certificate of Compliance, [click here](#)

Please visit the [Contact Us](#) section for any non-product compliance questions.

Search Parts in this Series

[19427Series](#)

Mates With

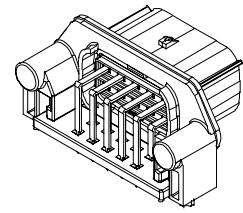
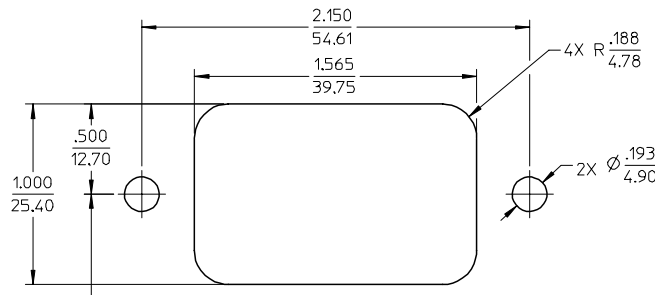
[19418 Receptacle Assemblies](#)

This document was generated on 05/05/2010

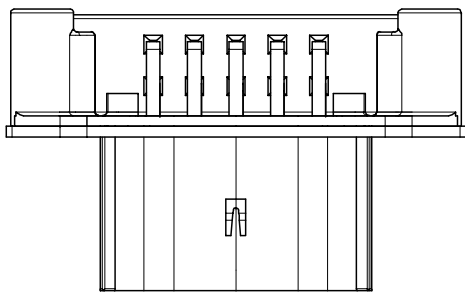
PLEASE CHECK WWW.MOLEX.COM FOR LATEST PART INFORMATION

13 12 11 10 9 8 7 6 5 4 3 2 1

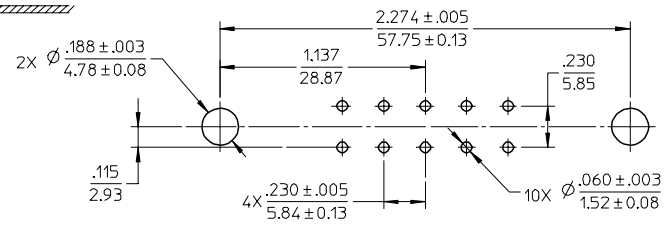
RECOMMENDED PANEL MOUNT OPENING
MAX PANEL THK .080/2.03



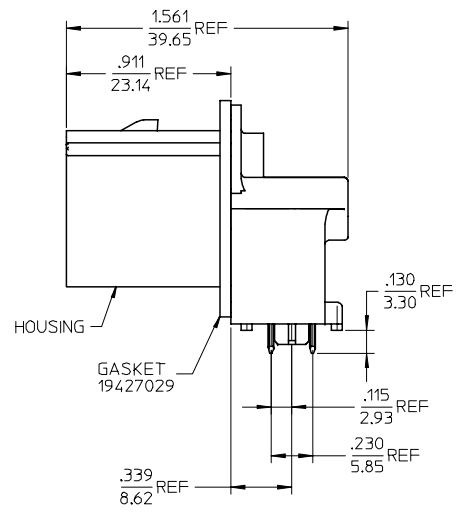
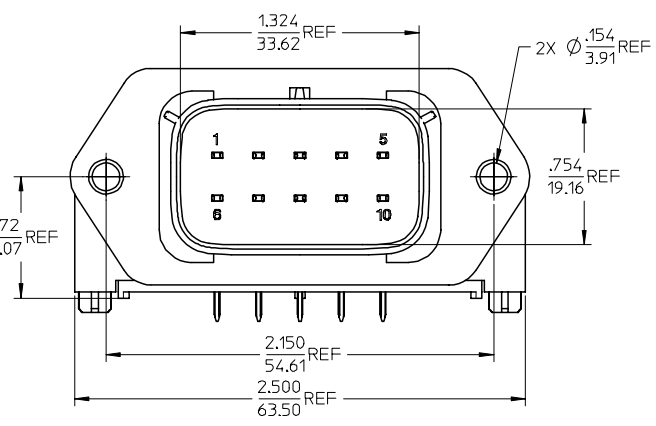
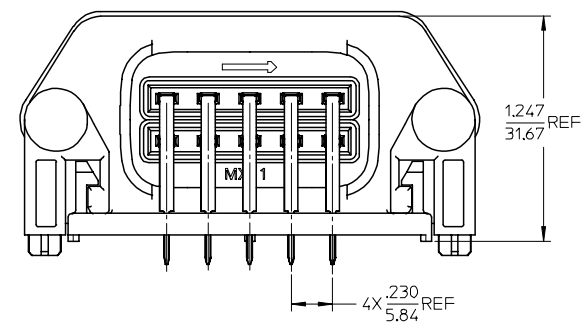
ASSEMBLED VIEW
1:1 SCALE



.672
17.07
TOP OF PCB



RECOMMENDED PCB LAYOUT
COMPONENTS SIDE
TOLERANCES ARE NON-ACCUMULATIVE



HOUSING
GASKET
19427029

NOTES:

- MATERIALS:
HOUSING: POLYESTER (PBT), GLASS FILLED, UL94 V-0, COLOR: BLACK
TERMINALS: COPPER ALLOY
- FINISHES: 1. TIN ONLY: 100µM TIN OVER 50µM NICKEL
2. TIN/GOLD: 30µM SELECT GOLD (CONTACT MATING AREA), 100µM SELECT TIN (PCB TAIL AREA) OVER 50µM NICKEL OVERALL.
- PRODUCT SPECIFICATION: PS-19427-001.
- PACKAGING SPECIFICATION: PK-19427-001.
- MATES WITH: 19418 SERIES RECEPTACLE ASSEMBLIES.
- RECOMMENDED MOUNTING HARDWARE: (2) #10 X .62/18.9 LONG PLASTIC THREAD CUTTING SCREWS, RECOMMENDED TORQUE 15-17 IN-LBS, SUGGESTED SOURCE: ITW SHAKEPROOF INDUSTRIAL BOSSCREW OR EQUIVALENT.

MATERIAL NO.	TERMINAL PLATING
194270031	TIN
194270104	TIN/GOLD

REVISED EFC NO: ETC2006-0028 2005/10/10 DRAWN: JPAWLICK 2005/10/11 CHKD: JPAWLICK 2005/10/11 APPR: RDEROSS 2005/10/11	DESCRIPTION	QUALITY SYMBOLS	GENERAL TOLERANCES (UNLESS SPECIFIED)	DIMENSION STYLE	SCALE	DESIGN UNITS	THIRD ANGLE PROJECTION	
		▽=0	mm INCH	IN/MM	2:1	INCH	☉	
		▽=0	4 PLACES ± --- ± ---	DRAWN BY	DATE	TITLE	10 WAY RIGHT ANGLE HEADER ASSEMBLY	
			3 PLACES ± --- ± .015	BRUPERT	04/07/28			
		2 PLACES ± 0.38 ± ---	CHECKED BY	DATE				
		1 PLACE ± --- ± ---	JPAWLICK	04/07/28				
		ANGULAR ± 1 °	APPROVED BY	DATE				
			RDEROSS	04/07/28				
			MATERIAL NO.	DOCUMENT NO.	MOLEX INCORPORATED			
				SD-19427-023			SHEET NO.	
			DRAFT WHERE APPLICABLE MUST REMAIN WITHIN DIMENSIONS	SEE CHART			1 OF 1	
					THIS DRAWING CONTAINS INFORMATION THAT IS PROPRIETARY TO MOLEX INCORPORATED AND SHOULD NOT BE USED WITHOUT WRITTEN PERMISSION			

12 11 10 9 8 7 6 5 4 3 2 1